

# R A D I O N I C S

## OMEGALARM 8112Comex Program Entry Guide

### 1. Introduction

The 8112Comex program is used to program Combinations 1 through 8 in the D8112G2 control/communicator. With COMEX, combinations 1 – 8 are expanded to *six digits* giving you 64 COMEX combinations (for a total of 70 possible combinations when Combo9's are also used). Combinations 1 – 8 in the 8112:MAIN Product Handler are not used (leave blank) with D8112G2 Control/Communicators. Combinations 1 – 8 are **only** used with D8112E1, D8112G1 Control/Communicators, and D8112A Access Control panels. Combinations 91 – 96 in the 8112:MAIN Product Handler can be used with **all** models of the D8112.

### 2. COMEX Combinations

COMEX combinations are composed of *2 fixed digits and 4 programmable digits*. The first fixed digit identifies the "group" number. The second digit identifies the individual combination in the group. To reduce the possibility of errors when the user enters a combination, Radionics suggests that the same number not be repeated frequently in the same combination. A "9" or "0" can **NOT** be used as the last digit of any combination.

COMEX combinations let you initiate all of the D8112 system functions which require combinations:

- **Arming/Disarming**
- **Selective Zone Shunting**
- **Force Arming**
- **Duress**
- **Command Fives** (See Adjacent Listing)

Command Fives Requiring A Combination:	
CMD 52	Sked Functions (requires ComboGroup 8)
CMD 54	Relay Control Functions
CMD 55	Change Your Passcode
CMD 58	Fire Alarm Test Mode

To enter into a COMMAND function requiring a combination, the user can enter any valid COMEX combination (combinations beginning with "9" do not work in these applications). For example, to enter the COMMAND 58 Mode, you can use any combination *from 11 - 18, 21 - 28, etc. up to 81 - 88*.

### 3. Opening/Closing Reports and Comex

Two different reporting formats are available with the D8112G2 Control/Communicator: **Modem II** (Individual combination reporting) and **BFSK or Pulse** (Opening/closing reports by group *or* unexpanded reports). The illustration below shows how combination ID codes are reported using the two different formats.

#### MODEM II FORMAT ID REPORTING

First digit of Combination is:	1	2	3	4	5	6	7	8
Reports to D6500 as ID:	B	C	D	E	F	6	7	8
Second digit of Combination is:	1	2	3	4	5	6	7	8
The D6500 Reports:	01	02	03	04	05	06	07	08
Example: If the Combination is: 1 - 2 - 3 - 4 - 5 - 6, an opening is reported as "OPENING ID: B 02" in Modem II.								

#### PULSE OR BFSK FORMAT ID REPORTING

First digit of Combination is:	1	2	3	4	5	6	7	8
Reports to D6500 as ID:	B	C	D	E	F	6	7	8
Second digit of Combination is:	1	2	3	4	5	6	7	8
The D6500 does not report any code for the second digit.								
Example: If the Combination is: 1 - 2 - 3 - 4 - 5 - 6, an opening is reported as "OPENING ID: B" in PULSE OR BFSK formats.								

Whenever opening/closing reports are enabled in a D8112G2 communicating to a D6500 receiver in Modem II Format, the full Combination ID code is reported as shown above. With Modem II, opening/closing reports from independent zone controls are separately identified at the D6500 (e.g. "OPENING ZN 6"). If using an Independent Zone Control (e.g. D279, D268/269), **DO NOT** connect it to a zone which reports the same number as an **active COMEX group (ComboGroup)**. To minimize the number of combinations which cannot be used, Radionics recommends that Zone Controls be connected to zones 1 through 5. (Combinations 91 – 95 cannot be used, because they report to the D6500 as ID 1 – 5. *ComboGroups* 1 – 5 report to the D6500 as ID B – F and are therefore unaffected by the presence of the zone control.)

Pulse and BFSK formats are only capable of reporting the Group number (first digit of the combination).

**Local Printer Reports:** When a Local Printer is installed with the D8112G2 Control/Communicator, fully expanded Combination ID Reporting is available to the local printer, *regardless of the communication format selected*.

#### 4. Programming Reporting Formats

Programming the control/communicator to send COMEX ID's with opening and closing reports is as simple as enabling the Central Station format, setting opening/closing report codes, and making sure that the opening/closing reports are not suppressed (see the 8112:AUX *Logger Subhandler Program*). Restricted opening/closing reports (8112:MAIN *50 ReO/C*) and supervision of Combination "9"s (8112:MAIN *51 Supv9*) continue to operate as described in the *8112:MAIN Program Entry Guide*.

##### 4.1 Modem II Format

To send fully expanded Combination ID opening/closings from the D8112G2, the following entries *must* be made:

8112:MAIN:		8112:AUX:		
3 CS	7	6.1 MLogEn	Yes	
48 Open	B	6.5 SendO/C	Yes	
49 Close	C			

**NOTE: A D6500 Security Receiver is required to receive Modem II format messages.** If the D8112 transmits to a second central station for back-up reporting, it must also be equipped with a D6500 (8112:MAIN program item *18 ACS* must be programmed "7").

##### 4.2 Pulse or BFSK Format

To send Group Combination ID opening/closings from the D8112G2, the following entries *must* be made:

8112:MAIN:		8112:AUX:		
3 CS	1,2,3,4,5,6 or Blank	6.1 MLogEn	Yes	
48 Open	B	6.5 SendO/C	Yes	
49 Close	C			

**About the 8112Comex Program/Account Record Sheet:** When reading the 8112Comex Program/Account Record Sheet (74-05072-000), the receiver display digits are interpreted as follows:

- **Groups** = Single Digit in the shaded area (i.e., B, C, D, E, F, 6, 7, 8)
- **Modem II** = Single Digit in the shaded area *plus two trailing digits* (B01 - B08, C01 - C08, D01 - D08, E01 - E08, F01 - F08, 601 - 608, 701 - 708, 801 - 808)

Combinations 91 - 96 are programmed in 8112:MAIN. They are printed on the 8112Comex Program/Account Record Sheet *for your convenience*.

#### 5. Getting into the 8112Comex Product Handler

Advance the D5100 display until *..8112Comex.A1..* appears, then scan the ENTER bar code. **COMEX:** *New File* appears in the display, scan the ENTER bar code again. **COMEX:** *COMBOGROUP 1* appears in the display, a blank space is provided for you to enter a file title.

- If you intend to save this file, see Sections 6 and 7, for Naming and Saving 8112Comex files.
- If you do *not* intend to save this file, scan the ENTER or ADVANCE bar code. **COMBOGROUP 1** appears in the display. This is the first item of the 8112Comex program. To continue programming, see Section 8. (See Figure 1 for an overview of the 8112Comex Product Handler program.)

#### 6. Naming 8112Comex Files

An 8112Comex file can not be stored in the memory of the D5100 Programmer without a file name. To construct an 8112Comex file name, enter into the COMEX Product Handler and scan the ENTER bar code until the prompt **COMEX:** *COMBOGROUP 1* appears in the display. The blank space is provided for a file title. Each new file that you create *must* have a unique file title, different from the title of any other COMEX file stored in the memory of the D5100 Programmer.

The file title can be from one to nine characters in length and may be composed of any characters showing on the D5100 faceplate (i.e., letters of the alphabet, numbers, punctuation marks, and symbols). Once the title is complete, scan the ENTER bar code until *ComboGroup 1* appears in the display. The file can now be edited saved, or loaded into the D8112G2.

## 7. Saving 8112Comex Files

E-8112-540-030

The number of files that can be stored in the memory of the D5100 Programmer depends on the amount of unused RAM capacity in the Programmer. This memory is used to save all types of files, including 8112:MAIN, 8112:AUX, 8112:PTExt, 8112:Skeds, and etc. The total number of files that can be stored in memory is divided between the various Product Handlers.

After you are finished programming the 8112Comex file, scan the SAVE FILE bar code. If you named the file before beginning programming, the file is saved immediately.

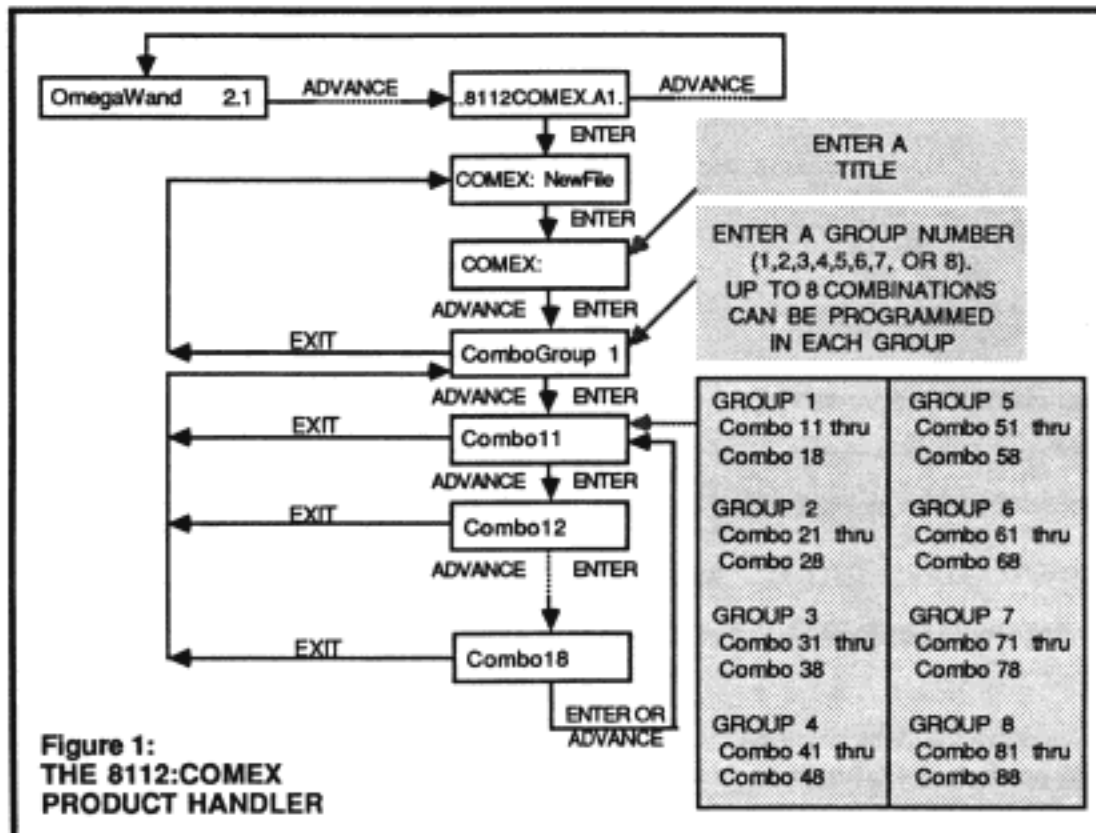
- If you did not yet name the file, the prompt **COMEX:** appears in the display. To proceed, name the file, and then scan the SAVE FILE bar code again.
- If the prompt **Check Title** appears in the D5100 display, it means there is already another COMEX file stored in Programmer memory by the same title. You can either **change** the title for your new COMEX file and **repeat** the step described above **or**, scan the REPLACE FILE bar code. When the REPLACE FILE bar code is used, it **erases the old COMEX file from the Programmer memory**.

## 8. Programming ComboGroups

### Entering a ComboGroup Programming Module.

1. To select a ComboGroup in which you wish to program new combination assignments **or** edit old ones, scan the ADVANCE bar code, until **ComboGroup 1** appears in your Programmer display.
2. Scan the appropriate ComboGroup number (1 - 8) in which you wish to work. Notice that the D5100 display changes to indicate which ComboGroup you have selected to enter (For example, when you scan "5", the title **ComboGroup 5** appears in the display).

**NOTE:** If using an Independent Zone Control (e.g. D279, D268/269), **DO NOT** connect the Zone Control to a Zone which **reports** the same number as an active COMEX combination **group (ComboGroup)**. See Section 3 for more information.



3. Scan the ENTER bar code and *Combo51* appears in the display. You have just entered into the ComboGroup 5 module. The "5" in "*Combo51*" indicates the ComboGroup number, while the "1" indicates the specific combination in the ComboGroup.
4. Once you have programmed *or* edited the eight combinations in ComboGroup 5, scan the ENTER bar code and the prompt *Combo51* will reappear in your Programmer display.
5. When you are already "in" one ComboGroup and you want to work in another ComboGroup, *first* scan the EXIT bar code and *then* scan the appropriate ComboGroup number (1, 2, 3, 4, 5, 6, 7, 8). If you are *not* already "in" a ComboGroup, simply scan the ComboGroup number you wish to work in.

Note: Scanning the EXIT bar code while a particular combination in a ComboGroup is showing in the Programmer display, will automatically return you to the beginning display for the ComboGroup you were editing.

### 9. Loading 8112Comex Files

The COMEX (combination expansion) feature is only useable when it is loaded into a D8112G2 Control/Communicator that is configured with the appropriate 8112:MAIN and 8112:AUX programs. All EIGHT COMEX Groups are edited and loaded from a SINGLE COMEX file.

Loading the 8112Comex File:

1. Connect your D5100 Programmer to the D8112G2 Control/Communicator.
2. Scan the ADVANCE bar code until *..8112Comex.A1..* appears in the Programmer display. Scan the ENTER bar code until *COMEX: New File* appears in the display.
3. Momentarily connect the D8112G2 "restart" terminal (32) to Common terminal (29).
4. Scan the ADVANCE bar code until the title of the 8112Comex file you want appears in the Programmer display. Scan the ENTER bar code. If the file requires editing, do so at this time.
5. When the file is edited and ready to load, scan the LOAD PANEL bar code. The Programmer display will momentarily change, showing the prompt *Load to 8112* and then returns to the ComboGroup prompt last appearing on the display.

### 10. Copying 8112Comex FILES

1. Connect the D5100 Bar Code Programmer to the D8112G2 Control/Communicator.
2. Scan the ADVANCE bar code until *..8112Comex.A1..* appears in the Programmer display. Then, scan the ENTER bar code until *COMEX: New File* appears in the display.
3. Momentarily connect the D8112G2 "disable/restart" terminal (32) to Common terminal (29).
4. Scan the COPY PANEL bar code. The Programmer momentarily displays *Copy From 8112* and then the prompt *COMEX:* . The file is now copied.
5. You can now scan the ADVANCE bar code to view the file. This file can now be edited and reloaded into the panel, and/or named and saved in the programmer.

